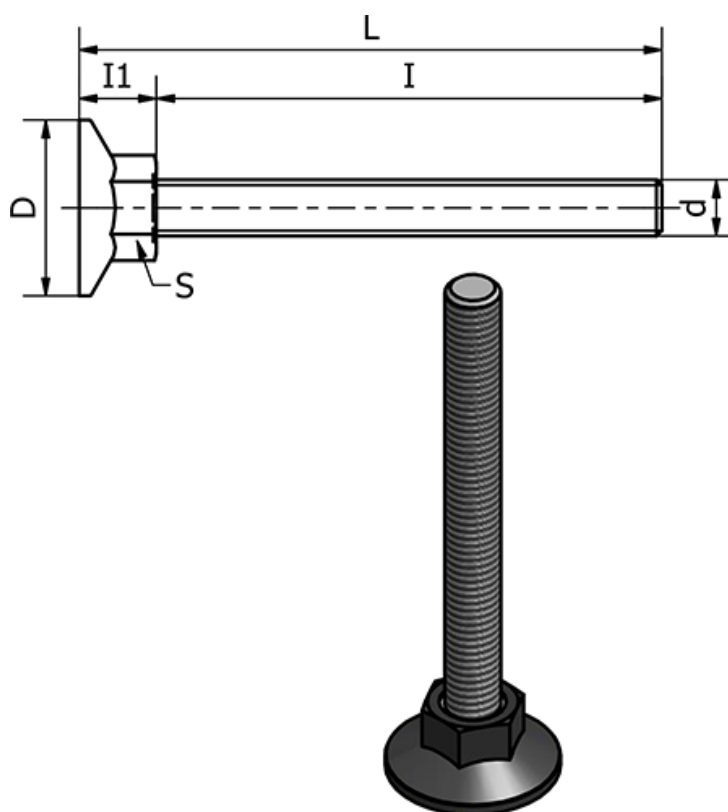


Article number: 2310431073  
Description: E+G Levelling elements  
LX.30-SW17-M10X41

## Measures



d	= M10
D	= 30
I	= 41
I1	= 12
L	= 53
S	= 17
Static load in (N)	= 3000
Type	= Forzinket

Weight (g) = -